

HIGHlite Laser 3D Series



3 Super High Brightness Digital Video Projector
Important Information

27 超高亮度数字视频投影机
重要信息

Digital Projection

Digital Projection Limited

Greenside Way, Middleton
Manchester M24 1XX, UK

Registered in England No. 2207264
Registered Office: as above

Tel (+44) 161 947 3300
Fax (+44) 161 684 7674

enquiries@digitalprojection.co.uk
service@digitalprojection.co.uk

www.digitalprojection.co.uk

Digital Projection Inc.

55 Chastain Road, Suite 115
Kennesaw, GA 30144, USA

Tel (+1) 770 420 1350
Fax (+1) 770 420 1360

powerinfo@digitalprojection.com
www.digitalprojection.com

Digital Projection China

中国 北京市 朝阳区 芍药居北里101号
世奥国际中心A座2006室(100029)

Rm A2006
ShaoYaoJu 101 North Lane
Shi Ao International Center
Chaoyang District
Beijing 100029, PR CHINA

Tel (+86) 10 84888566
Fax (+86) 10 84888566-805

techsupport@dp-china.com.cn
www.dp-china.com.cn

Digital Projection Asia

16 New Industrial Road
#02-10 Hudson Technocentre
Singapore 536204

Tel (+65) 6284-1138
Fax (+65) 6284-1238

www.digitalprojectionasia.com

Super High Brightness Digital Video Projector

Important Information

Contents

Symbols used in the User Manual.....	4
Electrical and physical specifications.....	5
Laser precautions.....	5
Product labels.....	6
<i>Label locations</i>	7
Location of laser aperture.....	8
Interlock switches.....	8
Lens hoods.....	9
General precautions.....	10
Installation precautions.....	11
Operation and configuration precautions.....	12
Compliance with international standards.....	12
<i>RF Interference</i>	12
<i>Noise</i>	12
<i>European Waste Electrical and Electronic Equipment (WEEE) Directive</i>	12
Basic Operation Instructions.....	13
<i>Positioning the screen and projector</i>	13
<i>Connecting the power supply</i>	14
<i>Switching the projector on</i>	14
<i>Switching the projector off</i>	15
<i>Selecting an input signal</i>	15
<i>Selecting a test pattern</i>	15
<i>Adjusting the lens</i>	16
<i>Adjusting the image</i>	17
<i>Inserting a new lens</i>	18
<i>Removing the lens</i>	19
<i>Changing the filters</i>	20
Control Panel Reference.....	22
Remote Control Reference.....	24

Full information about operating, connecting and setting up the projector can be found in the User Manual, located on the CD.

Symbols used in the User Manual



LASER WARNING: this symbol indicates that there is a potential hazard of eye exposure to laser radiation unless the instructions are closely followed.



ELECTRICAL WARNING: this symbol indicates that there is a danger of electrical shock unless the instructions are closely followed.



WARNING: this symbol indicates that there is a danger of physical injury to yourself and/or damage to the equipment unless the instructions are closely followed.



NOTE: this symbol indicates that there is some important information that you should read.



Specifications are subject to change without notice.

Electrical and physical specifications

Mains Voltage	200-240 VAC 50-60 Hz (single phase)
Operating Temperature	0°C to 35°C
Storage Temperature	-20°C to 60°C
Operating Humidity	20% to 90% non-condensing
Weight	46.5 kg (102.5 lb) without lens
Power Consumption	1600 W
Thermal Dissipation	5027 BTU/hr

Laser precautions



CLASS 3R LASER PRODUCT

This Laser Product is designated as Class 3R during all procedures of operation.

LASER LIGHT - AVOID DIRECT EYE EXPOSURE.

Do not point laser or allow laser light to be directed or reflected toward other people or reflective objects.

Direct or scattered light can be hazardous to eyes and skin.

There is a potential hazard of eye exposure to laser radiation if the included instructions are not followed.

Caution – use of controls or adjustments or performance of procedures other than those specified herein may result in hazardous radiation exposure.

Class 2 range. Class 3R laser product, per IEC 60825-1, has limited risk of laser hazard and is safe for non-intrabeam viewing. It is recommended to keep the audience 100 cm away from the exit plane of the lens hood and reduce the laser hazard to a much safer class 2.

Non-laser emission. There remains non-laser emission from the projection lens. This portion of emission has been tested per IEC/EN 62471 to be Risk Group 1 (Low Risk).

Laser Parameters:

Wavelength	445 nm - 470 nm
Laser Power for classification	< 330 mW
Total internal power	> 35 W
Apparent Source Size	> 10 mm at lens stop
Divergence	1 Radian to 100 mRadian
Mode of operation	CW
Modulation, due to frame rate	23 - 192 Hz

Product labels



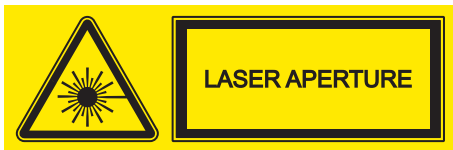
1 Manufacturer's ID Label and Explanatory Label

Complies with FDA performance standards for laser products except for deviations pursuant to Laser Notice No. 50, dated June 24, 2007

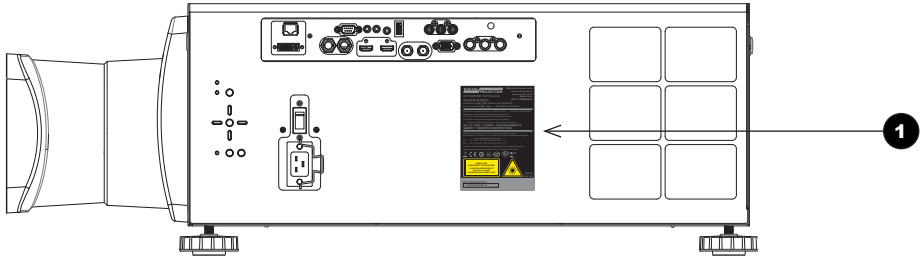
2 Certification Statement Label

**CAUTION – CLASS 4 LASER LIGHT WHEN OPEN
AVOID EYE OR SKIN EXPOSURE TO
DIRECT OR SCATTERED LIGHT**

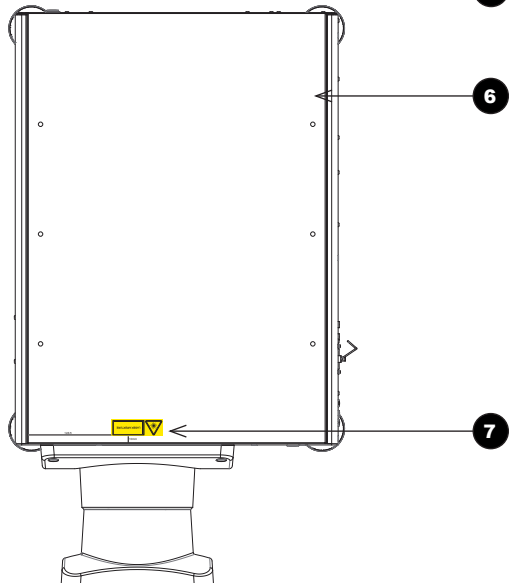
3 Protective Housing Label



4 Hazard Warning Symbol and Aperture Label

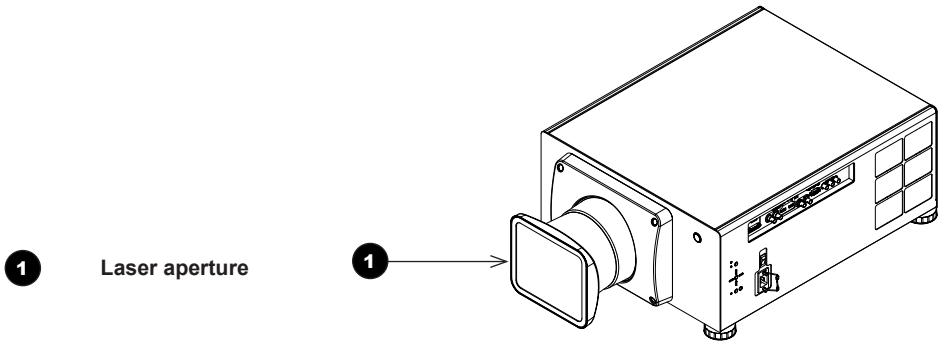


- 1 Location of Manufacturer's ID Label, Certification Statement Label and Explanatory Label on the body of the projector
- 2 Manufacturer's ID Label (manufacturer's name, address and projector model)
- 3 Certification Statement Label
- 4 Serial number
- 5 Explanatory Label
- 6 Protective Housing Label (under the top cover and only visible to service personnel)
- 7 Location of Hazard Warning Symbol and Aperture Label on the body of the projector



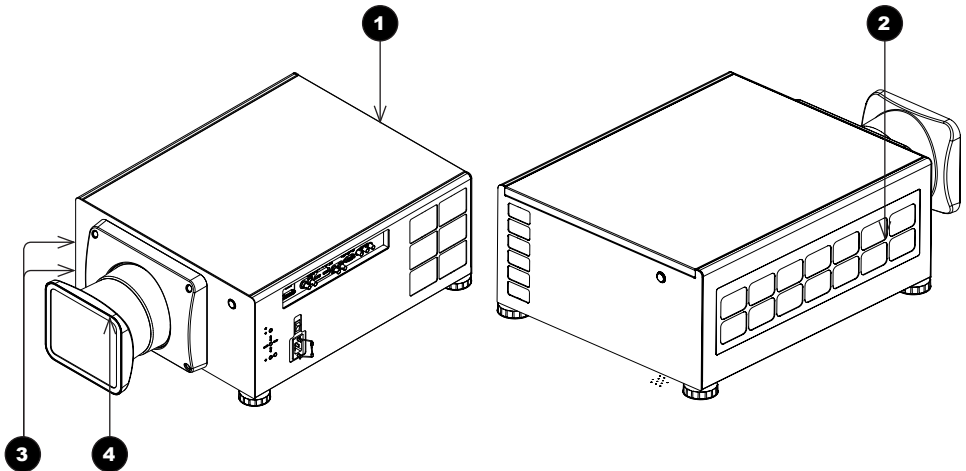
Location of laser aperture

The laser aperture is located as indicated below.



Interlock switches

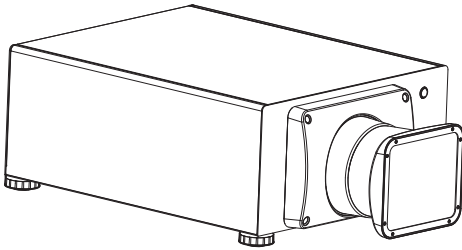
Five interlock switches installed at the main frame, inside the cover, will power-off the system individually when activated.



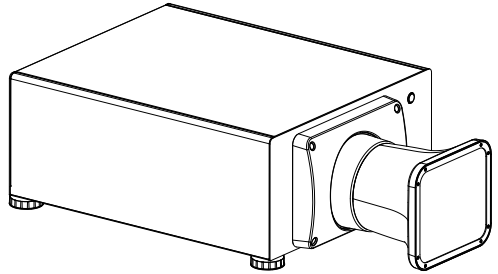
- 1 Will be activated when the top cover is removed.
- 2 Will be activated when the side cover is removed.
- 3 x2. Will be activated when the lens hood is removed.
- 4 Will be activated when the projection lens is removed.

Lens hoods

There are two types of lens hood, short and long.



Projector with short lens hood fitted



Projector with long lens hood fitted

The short lens hood is used with the following lenses:

Throw ratios	Part number
0.77 : 1 fixed lens	110-808
1.16 : 1 fixed lens	110-809
1.45 - 1.74 : 1 zoom lens	110-803
1.74 - 2.17 : 1 zoom lens	112-878
2.17 - 2.90 : 1 zoom lens	113-852
2.90 - 4.34 : 1 zoom lens	110-806

The long lens hood must be used with the following long throw lens:

Throw ratios	Part number
4.34 - 6.76 : 1 zoom lens	110-807



Do not use the short lens hood with the long throw lens.

General precautions



The unit is never to be operated if the unit is defective or the cover or seal is damaged.

No maintenance allowed by end user.

Do not open the cabinet. There are no user serviceable parts inside.

No service is allowed except by authorized personnel.

Use only the power cable provided.

Ensure that the power outlet includes a Ground connection, as this equipment **MUST** be earthed.

Take care to prevent small objects such as paper or wire from falling into the projector.

If this does happen, switch off immediately, and have the objects removed by authorised service personnel.

Do not expose the projector to rain or moisture, and do not place any liquids on top of the projector.

Unplug before cleaning, and use a damp, not wet, cloth.

Do not touch the power plug with wet hands.

Do not touch the power plug during a thunder storm.

Handle the power cable carefully and avoid sharp bends. Do not use a damaged power cable.



Do not touch the ventilation outlets, as they will become hot in use.

Do not cover or obstruct the ventilation outlets or inlets.

Do not cover the lens whilst the projector is switched on. This could cause a fire

Always allow the projector to cool for 5 minutes before disconnecting the power or moving the projector.

Never use strong detergents or solvents such as alcohol or thinners to clean the projector and lens.

Installation precautions



Connect the LAN cable only to a computer LAN connection. Other similar connectors may have a dangerously high voltage source.

The projector must be installed only by suitably qualified personnel, in accordance with local building codes.

The projector should be installed as close to the power outlet as possible.

The power connection should be easily accessible, so that it can be disconnected in an emergency.

Ensure that there is at least 30cm (12in) of space between the ventilation outlets and any wall, and 10cm (4in) on all other sides.

Do not install the projector close to anything that might be affected by its operational heat, for instance, polystyrene ceiling tiles, curtains etc.

Place the projector in a dry area away from sources of dust, moisture, steam, smoke, sunlight or heat.

The projector is heavy. Use safe handling techniques when lifting the projector.

Do not drop or knock the projector.

Before installation, make sure that the surface, ceiling or rigging that is to support the projector is capable of supporting the combined weight of the projector and lens.

When stacking projectors, the stack **MUST** be vertical, to ensure that the stresses are distributed to all four chassis corners.

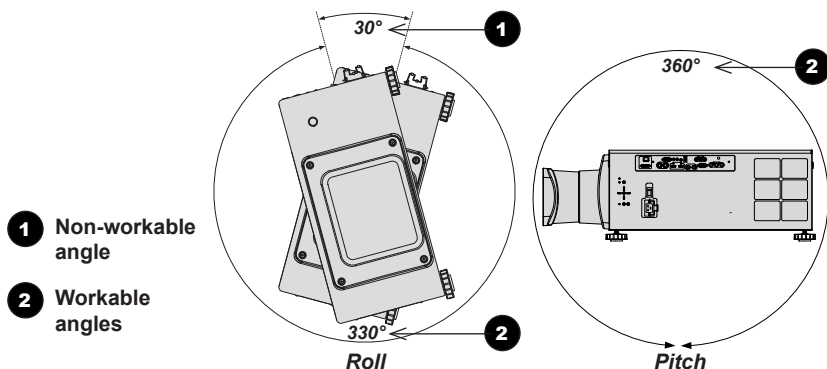
Do not stack more than 3 projectors.

Do not place heavy objects on top of the projector chassis. Only the chassis corners and the optional rigging frame are capable of withstanding the weight of another projector.

Backup safety chains or wires should always be used with ceiling mount installations.

The projector can be operated in numerous positions.

The only non-workable angle is in portrait mode with inputs facing upward, as shown in the diagram:



Operation and configuration precautions



Do not make changes to the networking configuration unless you understand what you are doing, or have taken advice from your Network Manager. If you make a mistake, it is possible that you will lose contact with the projector. Always double-check your settings before pressing the APPLY button. Always keep a written note of the original settings, and any changes you have made.

Software update should NOT be carried out except by, or with the supervision of, Digital Projection Service personnel.

Compliance with international standards



RF Interference

FCC

The Federal Communications Commission does not allow any modifications or changes to the unit EXCEPT those specified by Digital Projection in this manual. Failure to comply with this government regulation could void your right to operate this equipment.

This equipment has been tested and found to comply with the limits for a Class A digital device, pursuant with Part 15 of the FCC Rules. These limits are designed to provide reasonable protection against harmful interference when the equipment is operated in a commercial environment. This equipment generates, uses, and can radiate radio frequency energy and, if not installed and used in accordance with the instruction manual, may cause harmful interference to radio communications. Operation of this equipment in a residential area may cause harmful interference, in which case the user will be responsible for correcting any interference.

Noise

GSGV Acoustic Noise Information Ordinance

The sound pressure level is less than 48 dB (A) according to ISO 3744 or ISO 7779.

European Waste Electrical and Electronic Equipment (WEEE) Directive



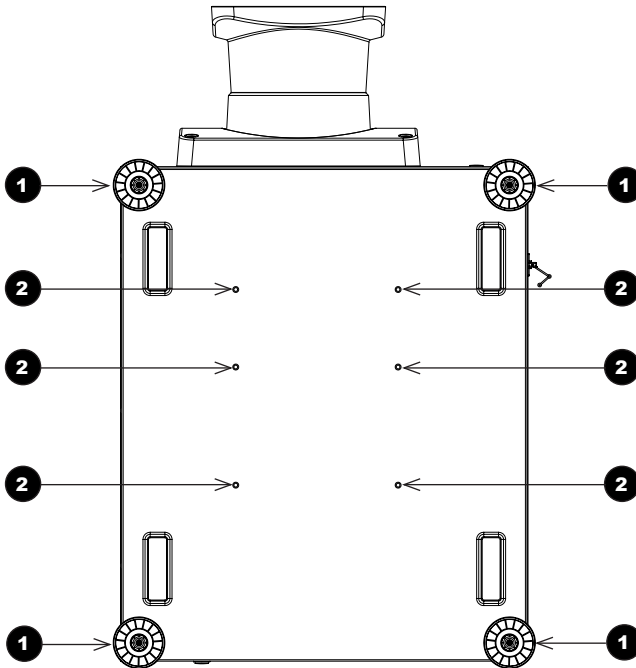
Digital Projection Ltd is fully committed to minimising Waste Electrical and Electronic Equipment. Our products are designed with reuse, recycling and recovery of all components in mind. To this end, at end of life, your projector may be returned to Digital Projection Ltd or its agent so that the environmental impact can be minimised.

Basic Operation Instructions

Positioning the screen and projector

1. Install the screen, ensuring that it is in the best position for viewing by your audience.
2. Mount the projector, ensuring that it is at a suitable distance from the screen for the image to fill the screen. Set the adjustable feet so that the projector is level, and perpendicular to the screen.

The drawing below shows the positions of the feet for table mounting, and the fixing holes for ceiling mounting.



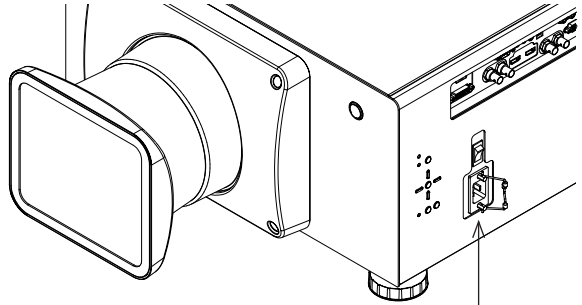
1 Four adjustable feet

2 Six M6 holes for ceiling mount

The screws should not penetrate more than 15 mm into the body of the projector.

Connecting the power supply

Lift the cable lock up, push the mains connector in firmly and push the lock down to secure the cable.



1 AC mains inlet with cable lock

1



Use only the power cable provided.

Ensure that the power outlet includes a ground connection as this equipment **MUST** be earthed.

Handle the power cable carefully and avoid sharp bends. Do not use a damaged power cable.

Switching the projector on

1. Connect the power cable between the mains supply and the projector. (See **Connecting the power supply** above.) Switch on at the switch next to the power connector.

Wait until the self-test has completed and the **STANDBY** indicator on the projector control panel shows blue. The system will be off and the projector will be in STANDBY mode.



The self-test is running when all the LEDs on the control panel are lit.

2. Press **ON** on the remote control or **STBY** on the control panel to switch the projector ON. The **ON** indicator on the control panel will show green, the system will light and the shutter will open.

Switching the projector off

1. Press **OFF** on the remote control or **STBY** on the control panel, then press again to confirm your choice. The **ON** indicator on the control panel will start flashing, the system will go out and the cooling fans will run for a short time until the projector enters STANDBY mode.
2. If you need to switch the projector off completely, switch off at the mains power switch next to the power connector and then disconnect the power cable from the projector.

Selecting an input signal

- Connect an image source to the projector. The signal should be automatically detected by the projector, and should be displayed within two or three seconds.
- If more than one signal is connected, then select the input you want to display:
 - Press one of the input buttons on the remote control.
 - Alternatively, open the On-screen display (OSD) by pressing **MENU**. Highlight **Input** from the main menu, press **ENTER/OK** and then select an input signal using the **UP** and **DOWN** arrow buttons. Press **ENTER/OK** to confirm your choice.

Selecting a test pattern

To display a test pattern:

- Press **TEST** on the remote control. If necessary, press again to change the test pattern. Test patterns are displayed in the following order:
...Off, White, Black, Red, Green, Blue, CheckerBoard, CrossHatch, V Burst, H Burst, ColorBar...
- Alternatively, open the OSD by pressing **MENU**. Highlight **Test Patterns** from the main menu, then select a test pattern using the **LEFT** and **RIGHT** arrow buttons.

Adjusting the lens

The lens can be adjusted using the **Lens** menu, or using the lens buttons on the remote control.

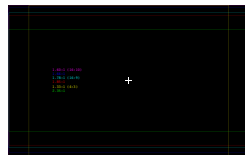
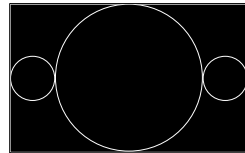
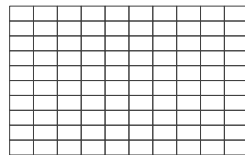
Lens menu

The **Lens** menu provides access to the **Lens Control** setting and the **Lens Center** command.

Lens Control allows **Zoom**, **Focus** and **Shift** adjustment using the arrow buttons. The setting operates in **Zoom/Focus Adjustment** and **Shift Adjustment** mode.

Press **ENTER/SELECT** to switch between modes as follows:

- **Zoom/Focus Adjustment** mode with the source image
- **Shift Adjustment** mode with the source image
- **Zoom/Focus Adjustment** mode with an alignment grid
- **Shift Adjustment** mode with an alignment grid
- **Zoom/Focus Adjustment** mode with an aspect test
- **Shift Adjustment** mode with an aspect test
- **Zoom/Focus Adjustment** mode with a screen layout pattern
- **Shift Adjustment** mode with a screen layout pattern



...

Remote control

Use the lens buttons on the remote control to adjust zoom, focus and shift directly, without opening a menu.



See **Remote Control Reference** further in this document for a description of the lens buttons.

Adjusting the image

Orientation

- This can be set from the **Setup** menu.

Highlight Projector Mode and choose from **Desktop Front**, **Ceiling Front**, **Desktop Rear** and **Ceiling Rear**.

Keystone

- This can be set from the **Geometry** menu.

Picture

- Settings such as **Brightness**, **Contrast** and **Gamma** can be set from the **Image** menu.
- You can also set **Brightness**, **Contrast** or **Gamma** via the remote control by pressing and holding **ALT** while pressing **BRI**, **CON** or **GAMMA** respectively.

Inserting a new lens



Before changing the lens, always make sure the projector is switched off and fully disconnected from its power supply.



When changing the lens, avoid using excessive force as this may damage the equipment.

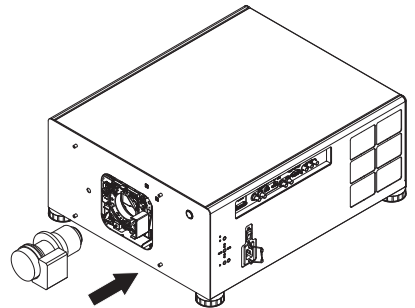


Take care to preserve the original lens packaging and protective caps for future use.

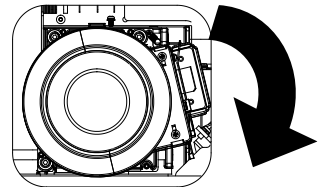


The projector will not power on without the lens and lens hood fitted.

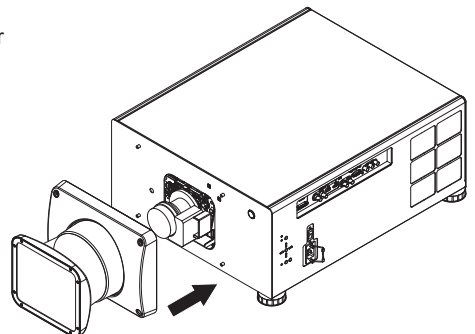
1. Insert the lens into the lens aperture, making sure that the plug on the zoom drive mechanism lines up with socket on the right of the lens aperture.



2. Rotate the lens clockwise until it clicks into place.



3. Secure the lens hood to the front of the projector with the screws.



Removing the lens



Before changing the lens, always make sure the projector is switched off and fully disconnected from its power supply.



When changing the lens, avoid using excessive force as this may damage the equipment.

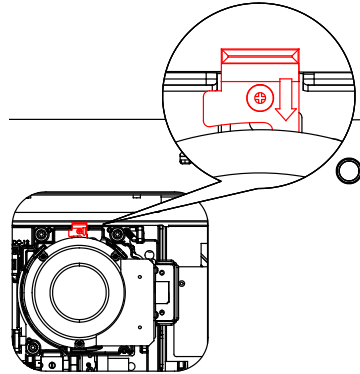
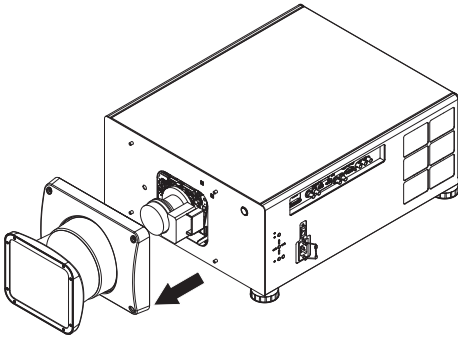


Take care to preserve the original lens packaging and protective caps for future use.

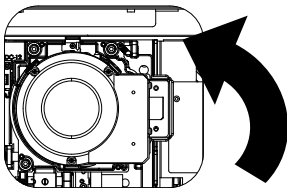


The projector will not power on without the lens and lens hood fitted.

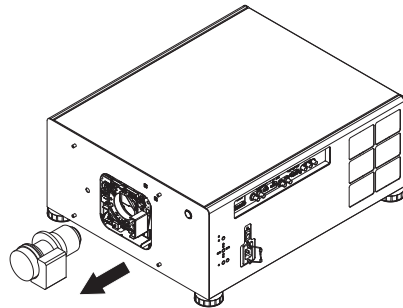
1. Loosen the four screws securing the lens hood to the body of the projector.
Remove the lens hood.
2. Push down the lens holder tab.



3. Rotate the lens anti-clockwise.



4. Pull the lens forward to remove it from the lens aperture.



Changing the filters

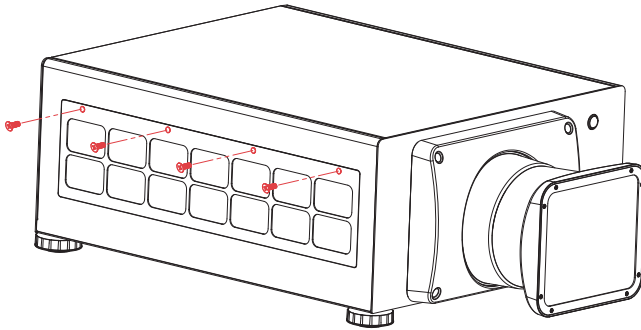


Before changing the filters, always make sure the projector is switched off and fully disconnected from its power supply.

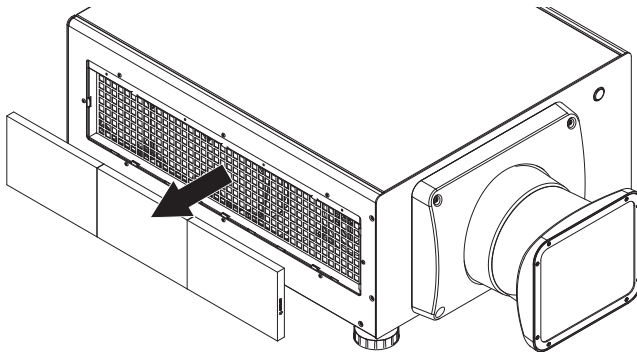


When changing the filters, avoid using excessive force as this may damage the equipment.

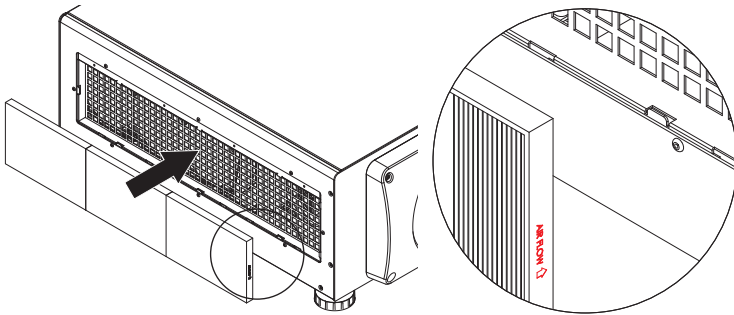
1. Loosen the screws holding the filter cover.



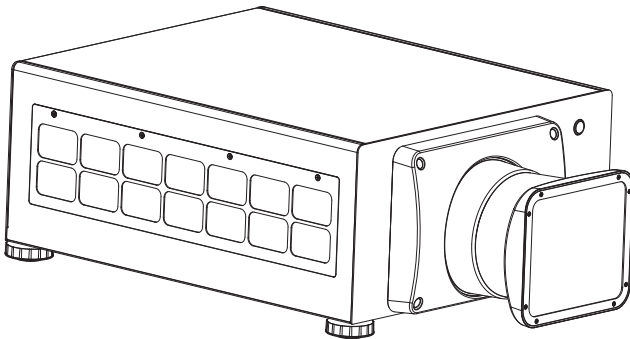
2. Remove the old filter.



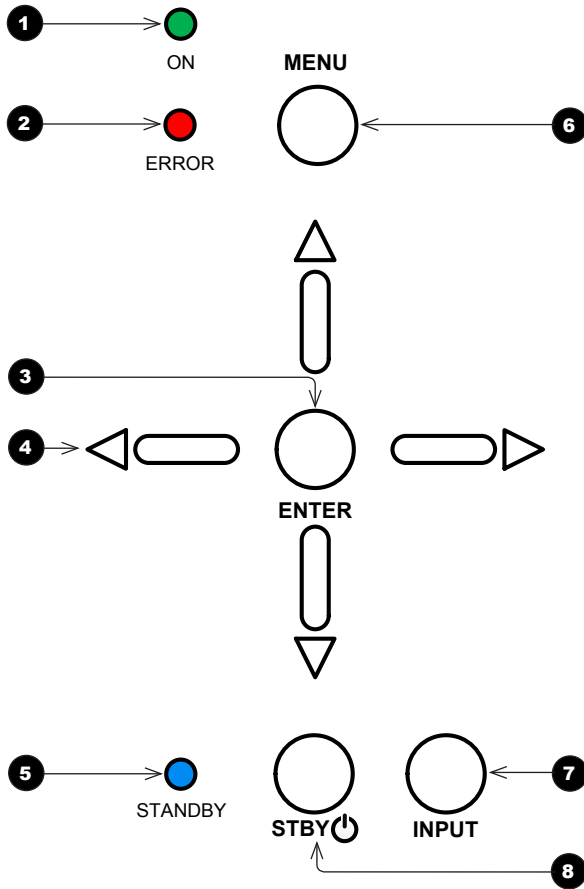
3. Insert the new filter. Make sure the air flow arrow on the side of the filter panel points toward the projector, as shown in the illustration.











4. Replace the filter cover and tighten the screws.



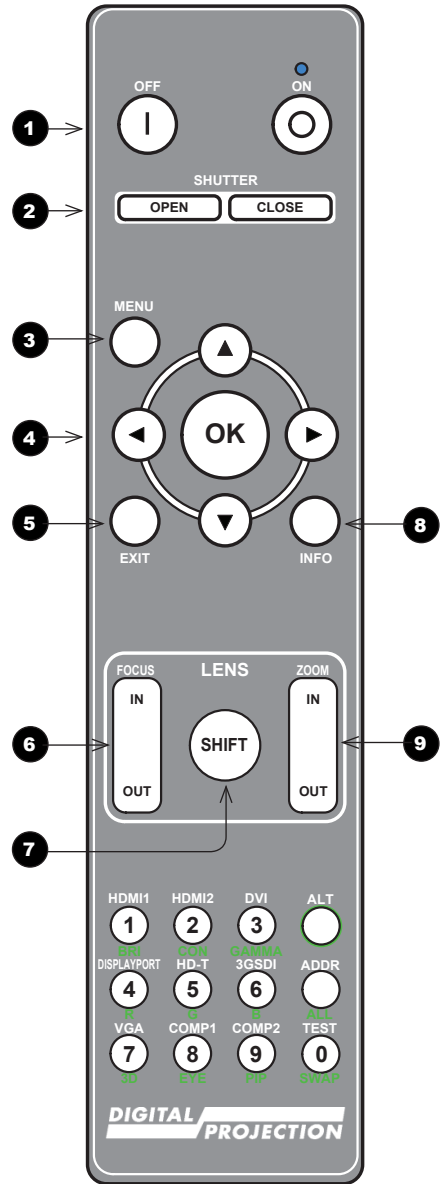
Control Panel Reference



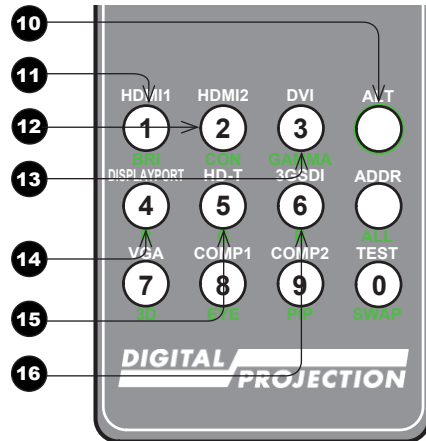
- 1 ON indicator (green)**
- | Behavior | | Meaning |
|----------|---|--|
| Off |  | The projector is switched off. |
| Flashing |  | The projector is warming up or cooling down. |
| On |  | The projector is switched on (NORMAL mode). |
- 2 ERROR indicator (red)**
- | Behavior | | Meaning |
|-------------------------------|---|-------------------|
| Flash three times, then pause |  | Fan failure. |
| Flash four times, then pause |  | Over temperature. |
| Flash five times, then pause |  | Filter failure. |
| On |  | System error. |
- 3 ENTER button**
Confirm your choice when navigating the OSD.
- 4 Arrow buttons**
Navigate the OSD, edit settings.
- 5 STANDBY indicator (blue)**
- | Behavior | | Meaning |
|----------|---|-----------------------------------|
| On |  | The projector is in STANDBY mode. |
- 6 MENU button**
Access the projector OSD (on-screen display).
- 7 INPUT button**
Select input source.
- 8 STANDBY button**
Switch the projector on and off (in STANDBY mode)

Remote Control Reference

- 1** Power ON / OFF
- 2** Shutter OPEN / CLOSE
- 3** MENU
Access the projector OSD (on-screen display). If the OSD is open, press this button to go back to the previous menu.
- 4** Navigation
Navigate through the menus with the arrows, confirm your choice with **OK**. In LENS SHIFT mode the arrows are used to move the lens. See **7** below.
- 5** EXIT
Close the OSD.
- 6** Focus IN / OUT
Adjust focus.
- 7** SHIFT
Press and hold this button, then press the **Navigation** arrow buttons to move the lens.
- 8** INFO
Access information about the projector.
- 9** Zoom IN / OUT
Adjust zoom.



- 10** **ALT**
Press and hold this button to access alternative functions for all buttons with a green label.
- 11** **HDMI 1 / BRI / numeric input 1**
Select the HDMI 1 input.
Use with **ALT** to bring up the **Brightness** control, then adjust the value with the **LEFT** and **RIGHT** arrow buttons.
Use the numeric input with **ADDR / ALL** to assign a remote address.
- 12** **HDMI 2 / CON / numeric input 2**
Select the HDMI 1 input.
Use with **ALT** to bring up the **Contrast** control, then adjust the value with the **LEFT** and **RIGHT** arrow buttons.
Use the numeric input with **ADDR / ALL** to assign a remote address.
- 13** **DVI / GAMMA / numeric input 3**
Select the DVI input.
Use with **ALT** to switch to the next **Gamma** value:
...1.0, 1.8, 2.0, 2.2, 2.35, 2.5...
Use the numeric input with **ADDR / ALL** to assign a remote address.
- 14** **DISPLAYPORT / R / numeric input 4**
Use with **ALT** to switch the red DMD on and off. This functionality is disabled when the projector is showing a test pattern.
Use the numeric input with **ADDR / ALL** to assign a remote address.
- 15** **HD-T / G / numeric input 5**
Select the HDBaseT input.
Use with **ALT** to switch the green DMD on and off. This functionality is disabled when the projector is showing a test pattern.
Use the numeric input with **ADDR / ALL** to assign a remote address.
- 16** **3GSDI / B / numeric input 6**
Select the 3G-SDI input.
Use with **ALT** to switch the blue DMD on and off. This functionality is disabled when the projector is showing a test pattern.
Use the numeric input with **ADDR / ALL** to assign a remote address.



- 17** **VGA / 3D / numeric input 7**
 Select the VGA input.
 Use with **ALT** to toggle the **3D** **Format** setting between **Off** and **Auto**.
 Use the numeric input with **ADDR / ALL** to assign a remote address.

- 18** **COMP1 / EYE / numeric input 8**
 Select the Component 1 input.
 Use with **ALT** to switch between left and right eye 3D dominance.
 Use the numeric input with **ADDR / ALL** to assign a remote address.

- 19** **COMP2 / PIP / numeric input 9**
 Select the Component 2 input.
 Use the numeric input with **ADDR / ALL** to assign a remote address.

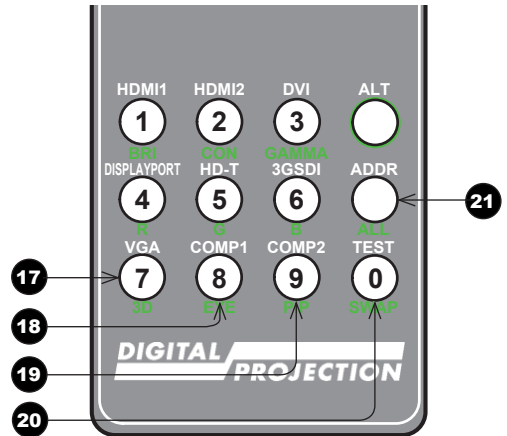
- 20** **TEST / SWAP / numeric input 0**
 Show a test pattern. Press again to show the next test pattern:
...Off, White, Black, Red, Green, Blue, CheckerBoard, CrossHatch, V Burst, H Burst, ColorBar...
 Use the numeric input with **ADDR / ALL** to assign a remote address.

- 21** **ADDR / ALL**
 Assign and unassign an IR remote address.
To assign an address:

1. Press and hold this button until the indicator starts flashing.
2. Release this button and while the indicator is still flashing, enter a two-digit address using the numeric input buttons. The indicator will flash three times quickly to confirm the change.

To unassign an address and return to the default address 00,

- Press and hold **ALT** and this button simultaneously until the indicator flashes to confirm the change.



超高亮度数字视频投影机 重要信息

目录

用户手册中使用的符号.....	28
电气和物理规格.....	29
激光警示.....	29
产品标签.....	30
标签位置.....	31
激光光圈的位置.....	32
联锁开关.....	32
镜头盖.....	33
一般注意事项.....	34
安装注意事项.....	35
操作和配置注意事项.....	36
国际标准合规情况.....	36
射频干涉.....	36
欧盟废弃电气或电子设备指令.....	36
基础操作说明.....	37
屏幕与投影仪的摆放位置.....	37
连接电源.....	38
接通投影仪电源.....	39
关闭投影仪电源.....	39
选择输入信号.....	39
选择测试模型.....	39
调整镜头.....	40
调整图像.....	41
插入新的镜头.....	42
取下镜头.....	43
更换过滤器.....	44
控制面板.....	46

有关投影机操作、连接和设置的完整信息，可以查看光盘上的《用户手册》。

用户手册中使用的符号



激光警告：该符号表示除非严格遵守使用说明，否则眼睛可能受到激光辐射。



电击警告：该符号表示除非严格遵守使用说明，否则存在电击危险。



警告：该符号表示除非严格遵守使用说明，否则您本人或设备可能遭受物理伤害危险。



注释：该符号表示您应当阅读一些重要信息。



相关规格可能不经通知而发生变更。

电气和物理规格

电源电压	200-240 交流电压, 50-60 赫兹 (单向)
工作温度	0° C 至 35° C
保存温度	-20°C 至 60°C
工作湿度	20% 至 90%, 无凝露
重量	46.5 千克 (102.5 英磅) (不含镜片)
功耗	1600 瓦
散热	5027 BTU/小时

激光警示



3R 级激光产品

在所有操作过程中，本激光产品的设计为 3R 级产品。

激光 - 避免眼睛直接暴露。

不要也不得允许他人将激光器或激光指向或反射到其他人或反射性物体上。

直射光或散射光可能给眼睛和皮肤造成危险。

如果没有遵守所附说明书，可能使眼睛暴露于激光辐射之下。

小心——如果在使用控制、调整设备或执行相关程序时，没有遵守本手册规定，则可能受到危险的激光辐射。

2 级范围。3R 级激光产品根据 IEC 60825-1 标准，可以产生少量激光辐射危险，对于非光束内观看而言是安全的。推荐观众距离镜头盖出口平面 100 厘米之外，并将激光辐射危险降低至更为安全的 2 级辐射。

非激光放射。投影镜头还存在非激光放射。这部分放射已经根据 IEC/EN 62471 标准进行测试，属于 1 号风险组（低风险）。

激光参数：

波长	445 纳米 - 470 纳米
激光功率分类	< 330 兆瓦
总内部功率	> 35 瓦
表观光源大小	> 10 毫米，透镜光阑位置
发散角	1 弧度至 100 微弧度
工作模式	CW
调制 (帧速)	23 - 192 赫兹

产品标签



1 制造商 ID 标签和说明标签

Complies with FDA performance standards for laser products except for deviations pursuant to Laser Notice No. 50, dated June 24, 2007

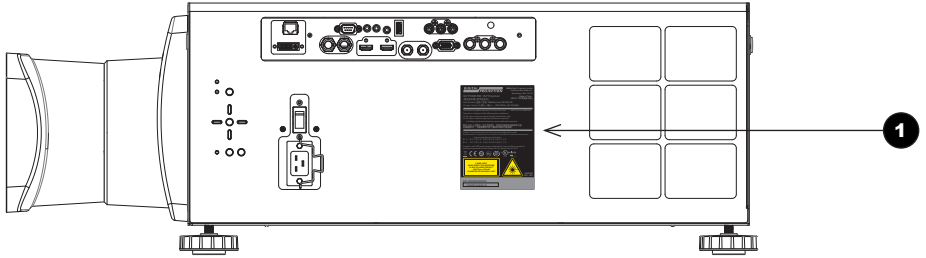
2 认证声明标签

**CAUTION – CLASS 4 LASER LIGHT WHEN OPEN
AVOID EYE OR SKIN EXPOSURE TO
DIRECT OR SCATTERED LIGHT**

3 保护性外壳标签

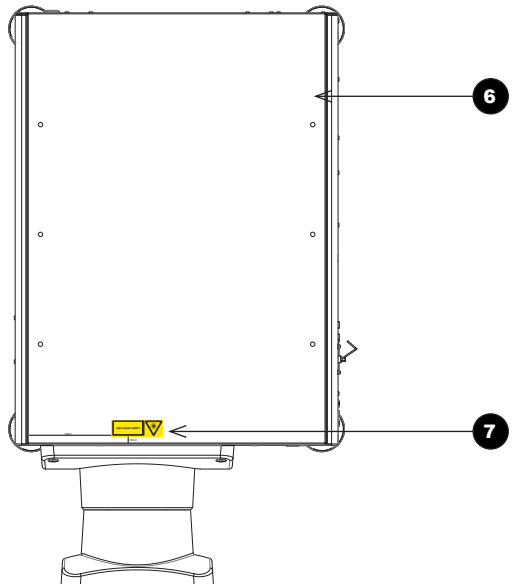


4 危险警示符号和光圈标签



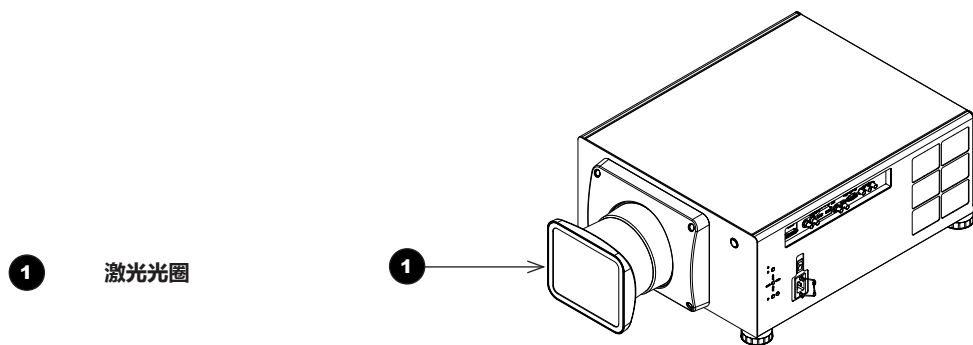
标签位置

- 1 制造商 ID 标签、认证声明标签和说明标签位于投影机身后
- 2 制造商 ID 标签 (制造商名称、地址和投影仪型号)
- 3 认证声明标签
- 4 序列号
- 5 说明标签
- 6 保护外壳标签 (位于顶盖下方, 仅维修人员可见)
- 7 危险警告标志和光圈标签位于投影机机身



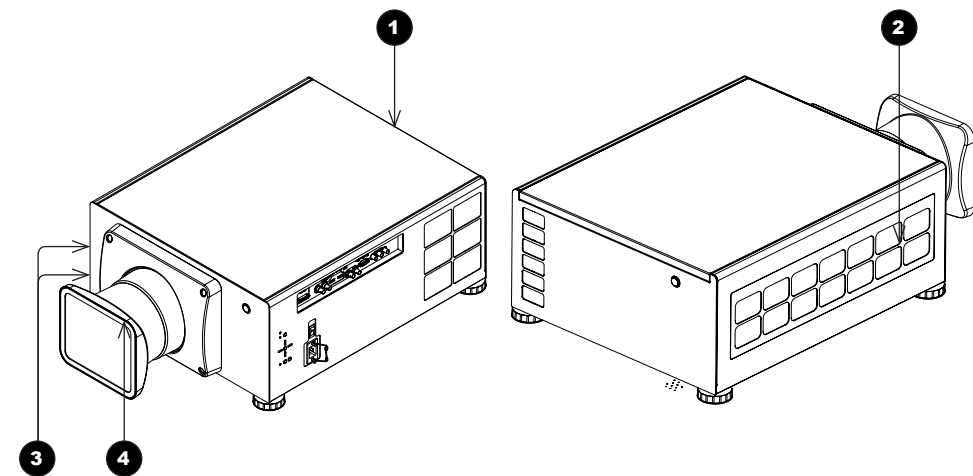
激光光圈的位置

激光光圈的位置如下所示。



联锁开关

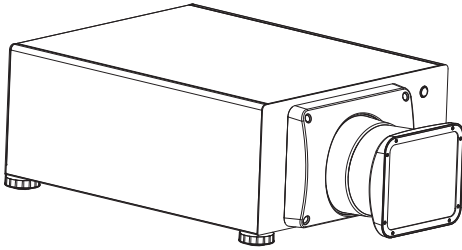
主机封盖内安装有五个联锁开关，这些开关一旦激活，将独立切断系统电源。



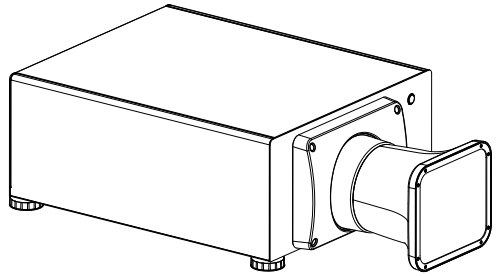
- 1 当顶盖打开时，将被激活。
- 2 当侧盖打开时，将被激活。
- 3 x2. 当镜头盖打开时，将被激活。
- 4 当投影仪镜头被取下时，将被激活。

镜头盖

镜头盖有两种：短盖和长盖。



装配短镜头盖的投影仪



装配长镜头盖的投影仪

短镜头盖用于以下镜头：

投射比	部件编号
0.77 : 1 固定镜头	110-808
1.16 : 1 固定镜头	110-809
1.45 - 1.74 : 1 缩放镜头	110-803
1.74 - 2.17 : 1 缩放镜头	112-878
2.17 - 2.90 : 1 缩放镜头	113-852
2.90 - 4.34 : 1 缩放镜头	110-806

长镜头盖必须用于以下长投射比镜头：

投射比	部件编号
4.34 - 6.76 : 1 缩放镜头	110-807



不得将短镜头盖用于长投射镜头。

一般注意事项



当本设备出现缺陷时，或者封盖或密封件受损时，不得使用本设备。

本设备不可由最终用户自行维护。

不得打开机壳。机壳内部没有用户可以自行维修的部件。

非经过授权的人员，不得进行设备维修。

请仅使用我们提供的电缆。

由于本设备必须接地，因此请确保电源输出口设有接地线。

小心避免纸张或铁丝等小型物体落入投影仪。如果发生这种情况，应立即关闭，并请求经过授权的维修人员将物体取出。

不要使投影仪淋雨或受潮，不得在投影仪上方放置任何液体。

在清洁之前拔下插头，使用有潮气但没有浸湿的布擦净。

不要用湿手接触电源插头。

不要在雷雨天触碰电源插头。

请小心使用电源电缆，避免过度弯折。禁止使用已经损坏的电缆。



不要触碰出风口，出风口在设备使用期间将会变热。

不得遮盖或阻挡出风口或进风口。

当投影仪开机时，不得遮盖镜头。否则可能引发火灾。

在切断电源或移动投影仪之前，总要让投影仪冷却 5 分钟。

清洁投影仪和镜头时，千万不要使用酒精或稀释剂等强力清洁剂或溶剂。

安装注意事项



局域网电缆应当仅连接到计算机的局域网接口。其他类似连接器可能存在危险的高压电源。投影仪的安装必须由具有适当资格的人员完成，并且遵守当地的建筑规范。

投影仪的安装位置应当尽量靠近电源插座。

电源连接应当方便使用，以便在紧急情况下切断电源。

确保出风口与墙壁之间保持至少 30 厘米（12 英寸）的空间，所有其他侧面保持至少 10 厘米（4 英寸）的空间。

投影仪的安装位置不要靠近可能受到投影仪工作热量影响的任何东西，例如，聚苯乙烯天花板、窗帘等。

投影仪应当放置在干燥区域，远离尘土、潮湿、蒸汽、烟气、日光或热量的源头。

投影仪较重。在搬运投影仪时，应使用安全的搬运技术。

不得摔落或敲击投影仪。

在安装之前，确保支承投影仪的表面、天花板或索具能够支承投影仪和镜头的合并重量。

当将投影仪叠放时，堆栈必须垂直，确保应力分散到机架的所有四个角。

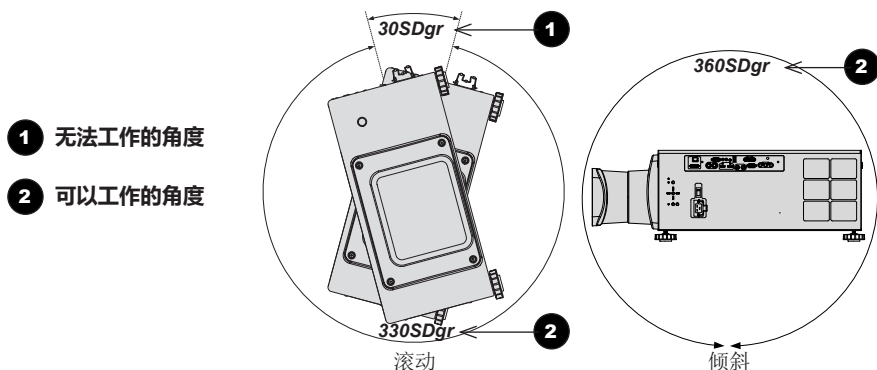
不要将超过 3 台投影仪堆叠在一起。

不得在投影仪机架上方放置较重物体。只有机架的四个角和选配的装配架才能承受另一台投影仪的重量。

如果安装在天花板上，应当总是使用后备保险链或保险绳。

投影仪在许多位置都可操作。

唯一不能工作的角度是在纵向模式下，输入端朝上的时候，具体如下图所示：



操作和配置注意事项



不得修改网络配置，但是您知道自己的行为或者征求了网络管理员意见的情况除外。一旦您出错，可能您将失去与投影仪的联系。在按下 APPLY (应用) 按钮之前，总要再次检查您的设置。对于原始配置和您做出的修改，总要保留书面记录。

软件更新必须由 Digital Projection 维修人员亲自完成或者在其监督下完成。

国际标准合规情况



射频干扰

美国联邦通讯委员会

除非 Digital Projection 在本手册中做出说明，否则美国联邦通讯委员会不允许对本设备进行任何修改或变更。如果未能遵守本项政府规定，则可能使您丧失操作本设备的权利。

根据《美国联邦通信委员会规定》第 15 篇规定，本设备经过测试，符合 A 级数字设备限值。这些限值的设置旨在确保相关设备在商业环境下工作时，合理地防止有害干扰。本设备生成、使用并且能够辐射射频能量，如果安装和使用不符合说明手册，本设备可能对无线电通信造成有害干扰。在住宅区域操作本设备，可能造成有害干扰，此时使用者将有责任修正任何干扰。

噪音

GSGV 声噪声信息法令

根据 ISO 3744 或 ISO 7779 标准，本设备的声压等级低于 48 分贝。

欧盟废弃电气或电子设备指令



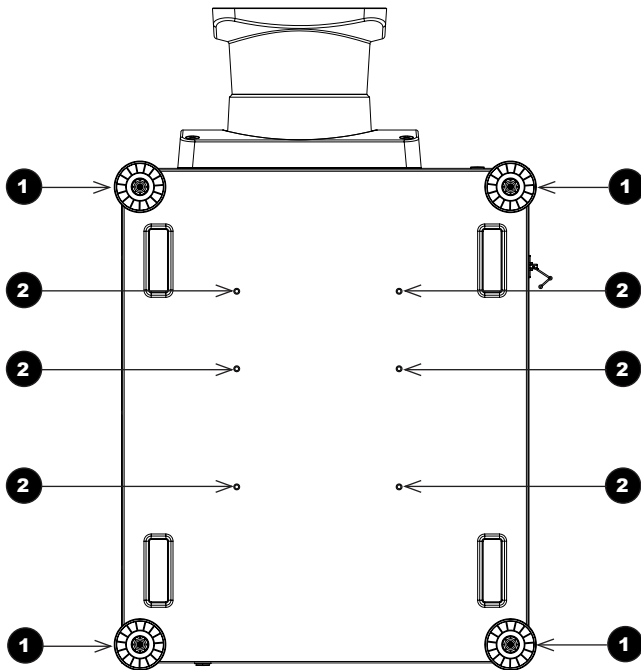
Digital Projection 公司全力减少废弃的电气和电子设备。我们的产品在设计时，着眼于重复利用、循环和回收。为此，您的投影仪设备在使用寿命结束时，可以退回 Digital Projection 公司或其代理商，以此尽量减少环境影响。

基础操作说明

屏幕与投影仪的摆放位置

1. 安装屏幕，确保屏幕处于最佳观看位置。
2. 安装投影仪，确保投影仪距离合适，使图像填满整个屏幕。调整可调底脚，使投影仪保持水平，并与屏幕垂直。

下图所示为桌面安装时的底脚位置，以及悬挂安装时的固定孔位置。

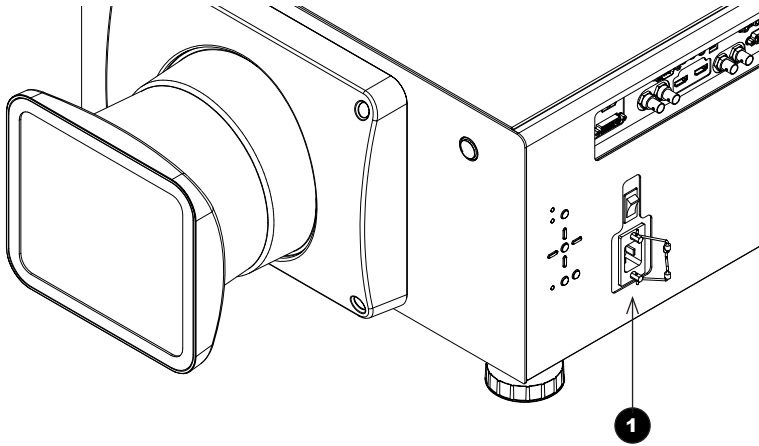


1 四个可调底脚

2 六个悬挂安装用 M6 固定孔
螺钉插入投影仪内部的长度不应超过 15 毫米。

连接电源

开启电缆锁，将主电源接头插入并保持牢固，将电缆锁下压，将电缆锁牢。



- 1 交流主电源入口，配电缆锁



请仅使用我们提供的电缆。

由于本设备必须接地，因此请确保电源输出口包括接地线。

请小心使用电缆，避免过度弯折。禁止使用已经损坏的电缆。

接通投影仪电源

1. 使用电源电缆连接干线电源与投影仪。打开电源接头一侧的开关。
2. 等待自检完成，并且投影仪控制面板上的**STANDBY**指示灯显示蓝色。系统将处于关闭状态，投影仪将处于待机模式。
3. 按下遥控器上的 **ON** 按钮，或者控制面板上的 **STBY** 按钮，打开投影仪。控制面板上的 **ON** 指示灯将显示绿色，系统将亮起，光闸将打开。

关闭投影仪电源

1. 按下遥控器上的 **OFF** 按钮，或者控制面板上的 **STBY** 按钮。控制面板上的 **ON** 指示灯将开始闪烁，系统将熄灭，冷却风扇将运行一会儿，直至投影仪进入待机模式。
2. 如果您想彻底关闭电源，则请关闭电源接口旁边的主电源开关，然后从投影仪上拔下电缆。

选择输入信号

- 将图像源接入投影仪。投影仪将自动检测输入信号，并且在三至三秒内显示。
- 如果连接的信号不止一个，则选择您想显示的输入信号：
 - 按下遥控器上的一个输入按钮，或者
 - 按下 **MENU**，打开屏幕显示功能 (OSD)。高亮选中主菜单的 **Input** 选项，按下 **ENTER/SELECT**，然后使用**上下**箭头按钮选择输入信号。按下 **ENTER/SELECT**，确定您的选择。

选择测试模型

要显示一个测试模型：

- 按下 **MENU** 按钮，打开屏幕显示功能。高亮选中主菜单上的 **Test Patterns** 选项，然后使用**左右**箭头按钮选择测试模型。

调整镜头

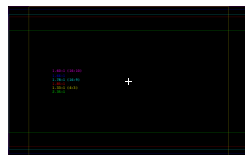
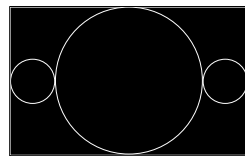
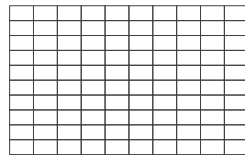
调整镜头时，可以使用 **Lens** 菜单，或者使用遥控器上的 **OK** 按钮。

按钮 **OK** 打开 **Lens Control** 设置，该设置可以调整缩放、焦距和位移。使用 **Lens** 菜单，您可进入 **Lens Control** 设置和 **Lens Center** 命令。

Lens Control 选项可以让您使用箭头按钮，调整 **Zoom**、**Focus** 和 **Shift**。该设置分为 **Zoom/Focus Adjustment** 模式和 **Shift Adjustment** 模式。

按下 **ENTER/SELECT** 按钮，在不同模式之间切换：

- **Zoom/Focus Adjustment**模式，使用源图像
- **Shift Adjustment**模式，使用源图像
- **Zoom/Focus Adjustment**模式，使用校直格栅
- **Shift Adjustment**模式，使用校直格栅
- **Zoom/Focus Adjustment**模式，使用纵横测试
- **Shift Adjustment**模式，使用纵横测试
- **Zoom/Focus Adjustment** 模式，使用屏幕布置模型
- **Shift Adjustment** 模式，使用屏幕布置模型



...

调整图像

方向

- 可从 **Setup** 菜单进行设置。
高亮选中 **Orientation** 选项，然后从 **Desktop Front**、**Ceiling Front**、**Desktop Rear** 和 **Ceiling Rear** 中进行选择。

梯形校正

- 可从 **Geometry** 菜单进行设置。

画质

- 亮度、对比度和伽马等，可从**Image**菜单设置。
- 您也可按下遥控器上的**BRIGHTNESS**、**CONTRAST** 或 **GAMMA**，设置亮度、对比度或伽马。

插入新的镜头



在更换镜头之前，总要确保投影仪已经关闭，并且电源完全断开。



在更换镜头时，避免用力过大，以免损坏设备。

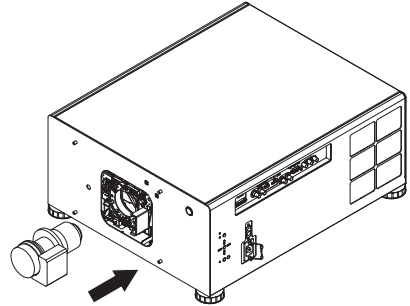


如果镜头和镜头盖没有安装，投影仪不会加电。

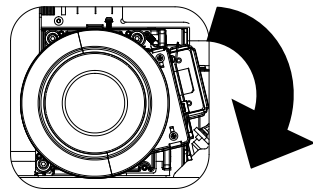


注意保存原始的镜头包装和保护盖，以备将来使用。

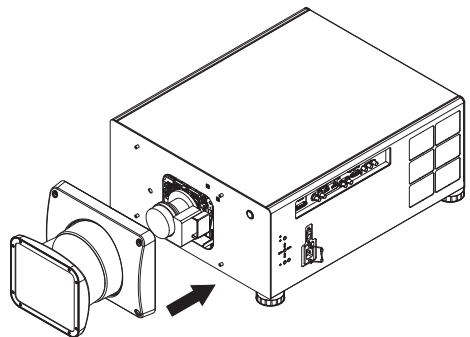
1. 将镜头插入镜头光圈，确保变焦驱动机构上的插头与镜头光圈右侧的插口对齐。



2. 按顺时针方向旋转镜头，直至卡嗒一声到位。



3. 使用螺钉，将镜头盖固定到投影仪前部。



取下镜头



在更换镜头之前，总要确保投影仪已经关闭，并且电源完全断开。



在更换镜头时，避免用力过大，以免损坏设备。

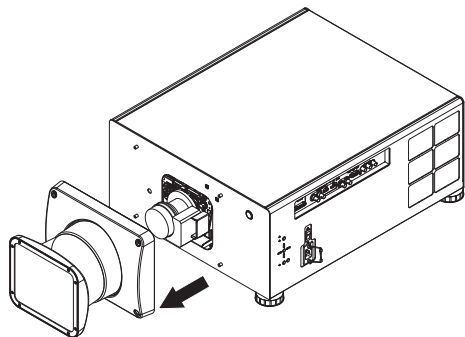


注意保存原始的镜头包装和保护盖，以备将来使用。

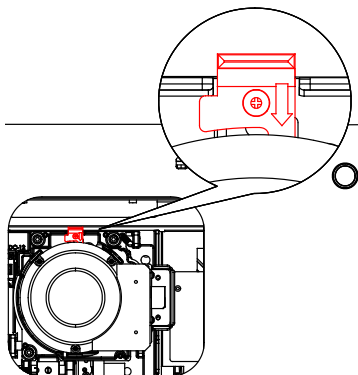


如果镜头和镜头盖没有安装，投影仪不会加电。

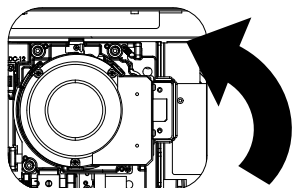
1. 松开固定镜头盖的四颗螺钉。
取下镜头盖。



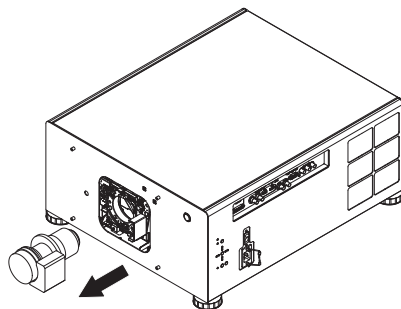
2. 按下镜头的卡头。



3. 按逆时针方向旋转镜头。



4. 将镜头外拉，从光圈上取下镜头。



更换过滤器



在更换过滤器之前，总要确保投影仪已经关闭，并且电源完全断开。

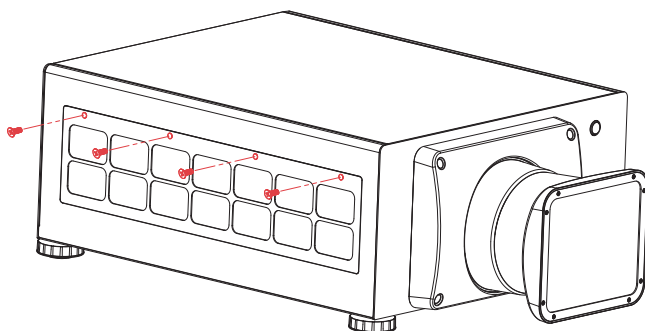


在更换过滤器时，避免用力过大，以免损坏设备。

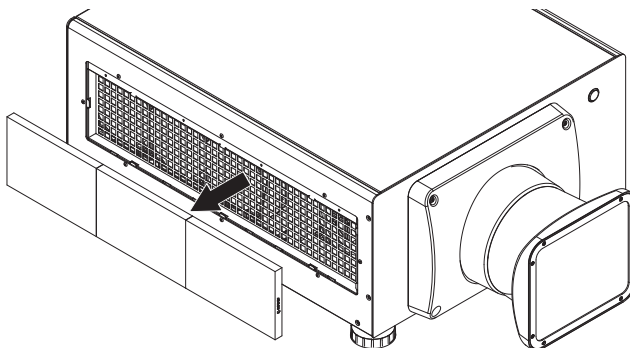


在正常环境下，过滤器应当每 2000 小时更换一次。

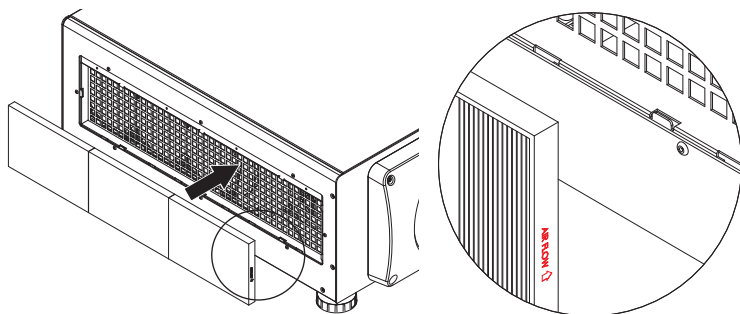
1. 松开过滤器盖板的固定螺钉。



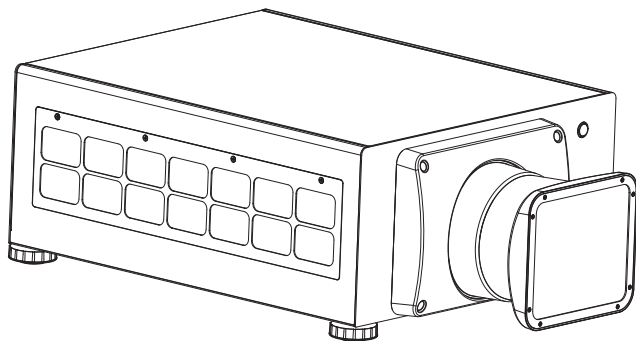
2. 取下旧过滤器。



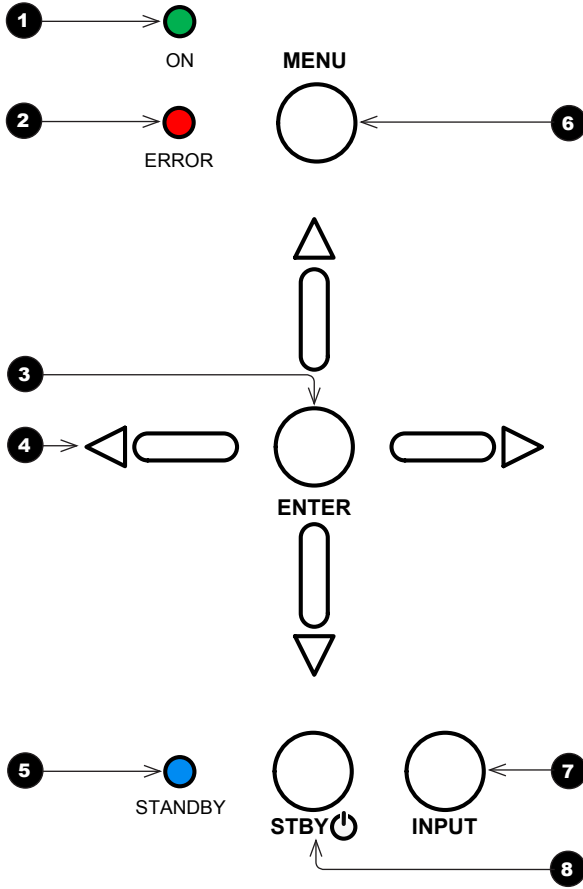
3. 插入新过滤器。确保过滤器板上的气流箭头指向投影机（如图所示）。






4. 重新装上过滤器盖板，拧紧螺钉



控制面板



- 1 ON 指示灯 (绿)**
- | 行为 | | 含义 |
|----|---|-----------------|
| 关闭 |  | 投影机已经关闭。 |
| 闪烁 |  | 投影机正在预热或冷却。 |
| 打开 |  | 投影机已经打开 (普通模式)。 |
- 2 ERROR 指示灯 (红)**
- | 行为 | | 含义 |
|------------|---|--------|
| 闪烁三次, 然后暂停 |  | 风扇故障。 |
| 闪烁四次, 然后暂停 |  | 过热。 |
| 闪烁五次, 然后暂停 |  | 过滤器故障。 |
| 打开 |  | 系统错误。 |
- 3 ENTER 按钮**
- 在使用 **OSD** 导航功能时, 确定您的选择。
 进入 **Lens Control** 设置: 调整镜头、缩放和图像聚焦。
- 4 箭头按钮**
- OSD** 功能导航, 编辑设置选项。
- 5 STANDBY 指示灯 (蓝)**
- | 行为 | | 含义 |
|----|---|------------|
| 打开 |  | 投影机进入待机模式。 |
- 6 MENU 按钮**
- 进入投影机的 **OSD** 功能 (屏幕显示功能)。
- 7 INPUT 按钮**
- 选择输入源。
- 8 STBY 按钮**
- 打开和关闭 (待机模式) 投影机